



**SLES-T**

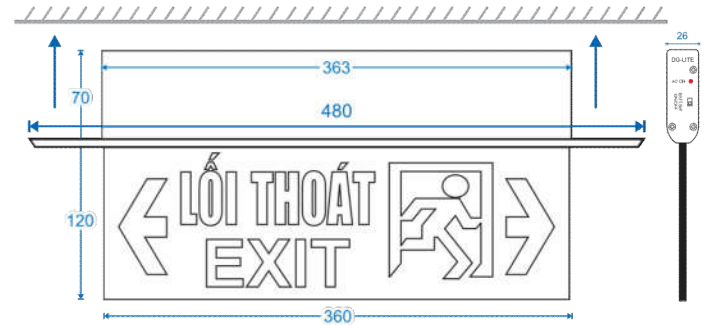
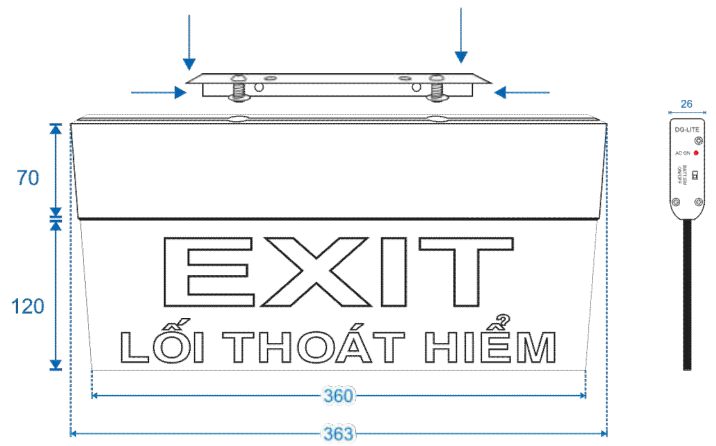
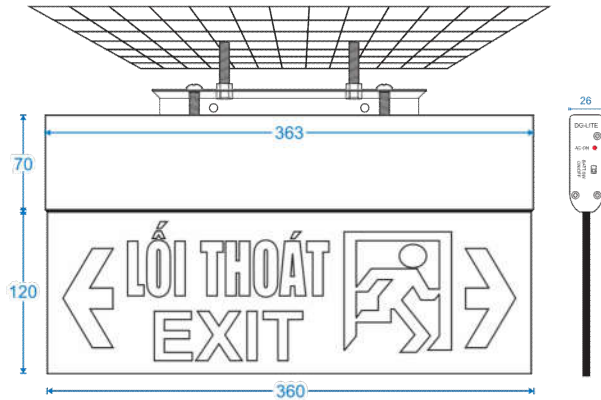
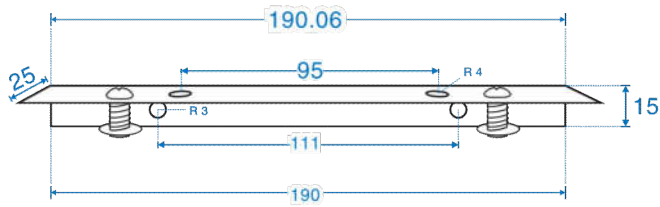


**TECHNICAL DATA**

Input Voltage	220~240 V/AC, 50Hz	Brightness	100%
Lamp	LED bridgelux SMD 3528 5600K	Output in emergency	220-240V
Emergency Duration	3 hours	Fitting construction	Aluminium casing
Mode of Operation	Combined maintained	Unit dimension	190x360x26
Safety feature	Over discharger and over charger protection	Mounting	Recessed, Wall, Ceiling, Pendant, mounting
Charging	24h after commissioning	Diffuser	Fire retardant Cast PC, Arcylit sheet
Battery	3.6V-1500mAh Nickel metal hydride Batteries	Compliance	Quatest 3



## MANUAL GUIDE



### KEY FEATURES:

- Using Surface Mount Technology Led
- High Durability and Reliability
- Low maintenance and no replace bulb
- Low heat and easy installation
- Low power consumption
- Versatile and user customizable
- Power saving 90%

## ORDERING GUIDE

Please check with Sales Dept if Customisation is required

Single Sided	Legend	Legend
SLES-T		
SLES-T (R)		
SLES-T (L)		
SLES-T (L/R)		

In addition, we also can proceed the design according to customer's requirement

