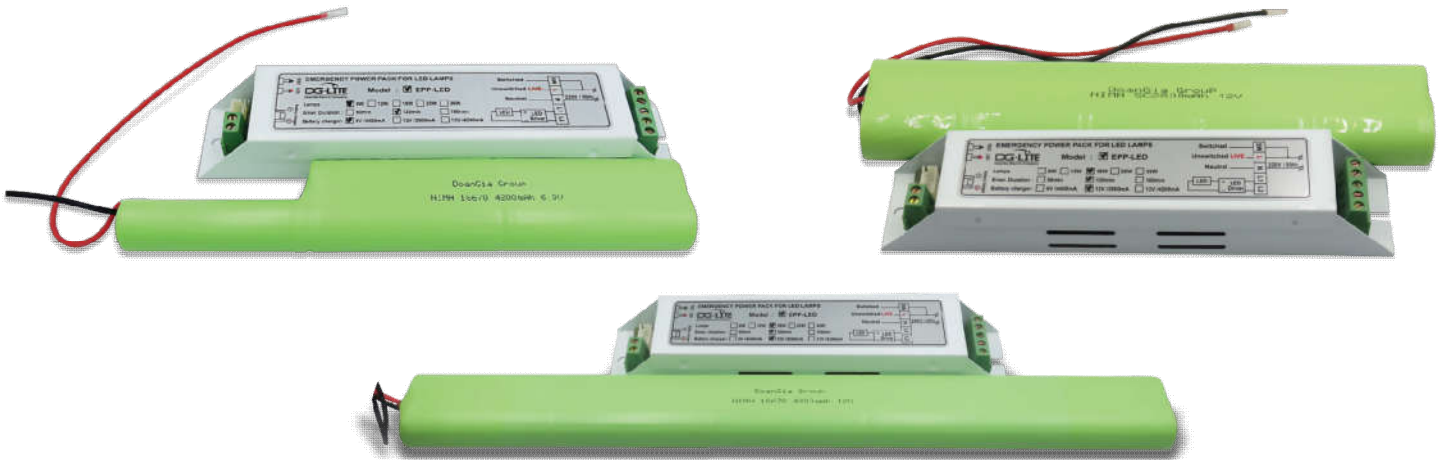




EPP - LED

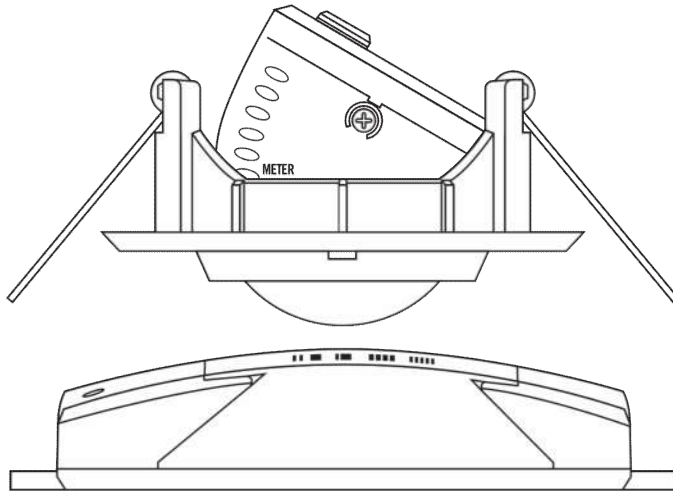
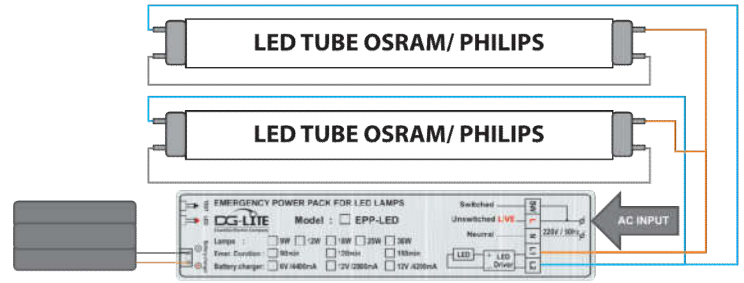
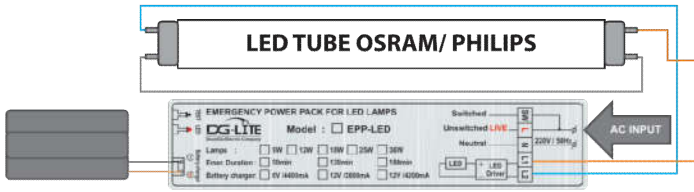


TECHNICAL DATA

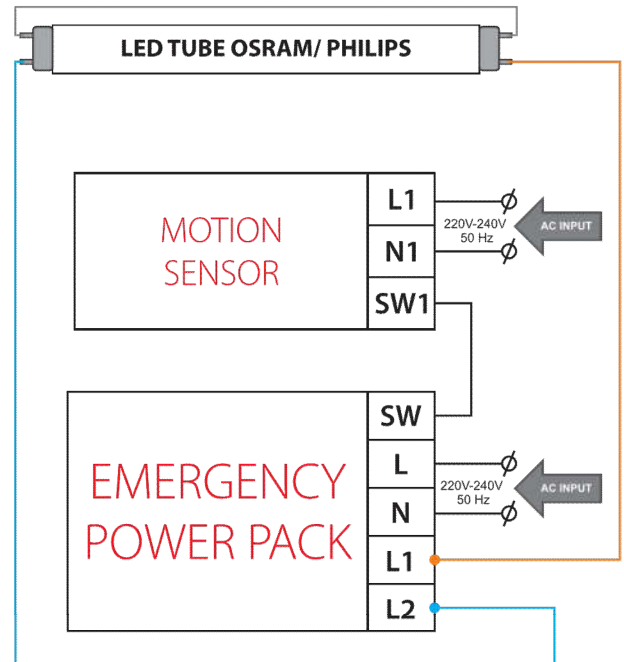
Production Name	Emergency power pack for led Tube 0,6M and 1M2	Charging	48 hours afer commissioning
Input voltage	220-240V / 50Hz	Battery charger	Nickel metal hydride Ni-MH
Lamp used	For Led tube lamps	Brightness	100%
Emergency duration	2-3 hours back up	Maximum power led	Below 25 watt
Battery protection	Yes	Output in emergency	220 - 240 V
Test facility	Push button switch	Inverter dimension	186 x 25 x 37 (L x W x H/mm)
Charge monitor	Red led Ø 5mm	Battery dimension	Customized (L x W x H/mm)
Operation temperature	- 10°C ~ 50°C	Housed box	Metal box / Aluminum box
Highest surface temperature	70°C		



MANUAL GUIDE



- KEY FEATURES:**
- High durability & Reliability
 - Easy installation
 - Low maintenance
 - Versatile & User customisable



ORDERING GUIDE

Please check with Sales Dept if Customisation is required

Model	Tube Led power	Battery charger
EPP-LED	8W / 10W / 12W	Nickel metal Hydride 6V/ 4400mAh
EPP-LED	16W / 18W	Nickel metal Hydride 12V/ 2800mAh
EPP-LED	22W / 25W	Nickel metal Hydride 12V/ 4200 - 4400mAh

