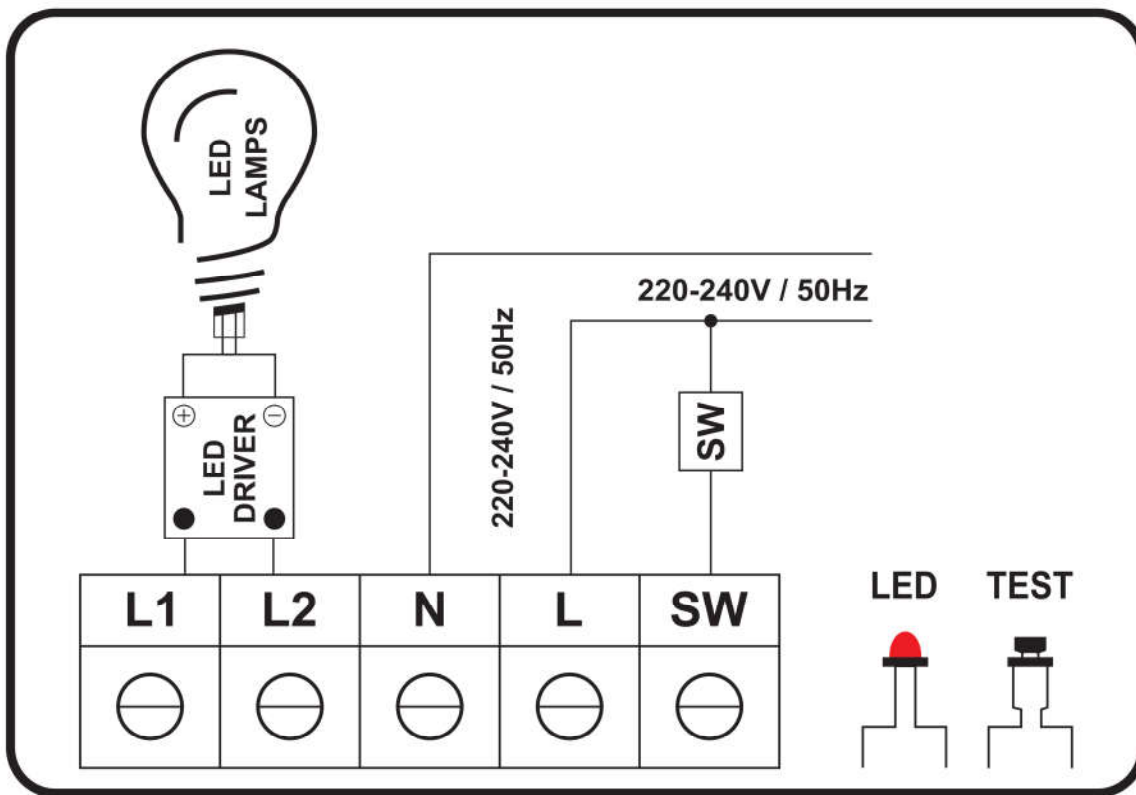




TECHNICAL DATA

Production Name	Emergency power pack for led downlight / Led Bulb
Input voltage	220-240V / 50Hz
Lamp used	For Downlight led / Bulb led / Led MR16 / Led GU10 ...
Emergency duration	2-3 hours back up
Battery protection	Yes
Test facility	Push button switch
Charge monitor	Red led Ø 5mm
Operation temperature	- 10°C ~ 50°C

Highest surface temperature	70°C
Charging	48 hours afer commissioning
Battery charger	Nickel metal hydride Ni-MH
Brightness	100%
Maximum power led	Below 25 watt
Output in emergency	220 - 240 V
Battery dimension	Customized (L x W x H/mm)
Housed box	Metal box / Aluminum box



KEY FEATURES:

- High durability & Reliability
- Low maintenance
- Easy installation
- Versatile & User customisable

ORDERING GUIDE

Please check with Sales Dept if Customisation is required

Model	Downlight led power	Battery charger
EPP-LED	3W/ 5W / 7W/ 9W	Nickel metal Hydride 6V/ 4400mAh
EPP-LED	12W / 15W	Nickel metal Hydride 12V/ 2800mAh
EPP-LED	16W /18W	Nickel metal Hydride 12V/ 3500 - 3800mAh
EPP-LED	20W/ 22W /25W	Nickel metal Hydride 12V/ 4400 - 5000mAh

