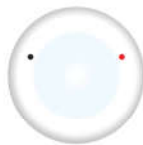
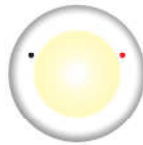




EM-SLER/ EM-SLET



Coolday Light



Warm white Light

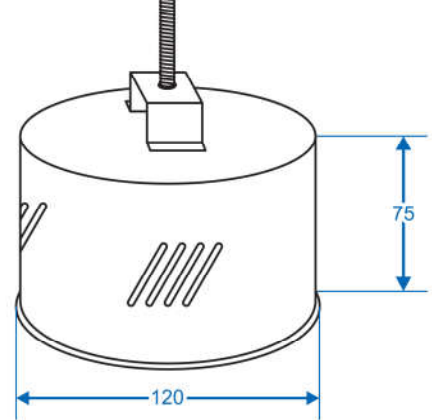
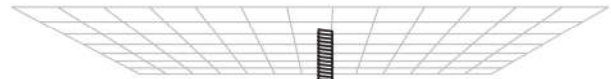
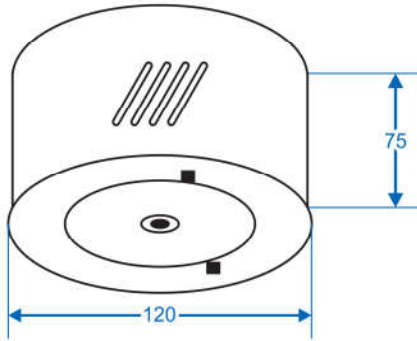
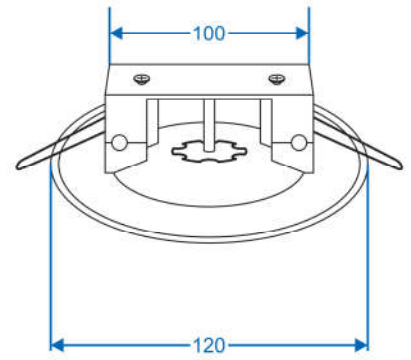
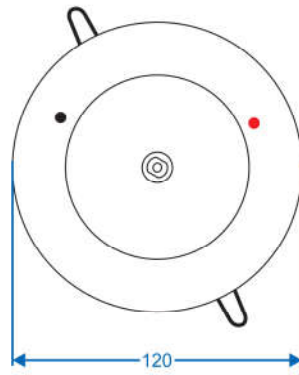
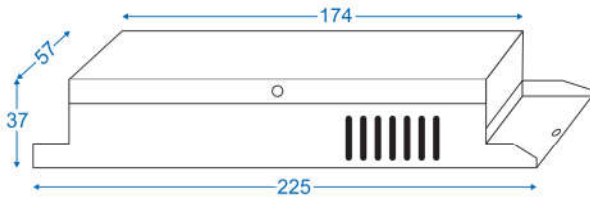
TECHNICAL DATA

Input Voltage	220~240 V/AC, 50/60Hz
Lamp	3 Watt LED Chip 45 Mil Bridgelux - USA/260-290lm
Emergency Duration	3-5 hours
Mode of Operation	Combined maintained and Non-maintained
Safety feature	Over discharger and over charger protection
Charging	24h after commissioning
Battery	3.6V - 1500mh Nickel metal hydride Batteries
Brightness	100%

Test facility	Micro switch for test
Dimensions	(LxWxH, mm): 22.5 x 5.7 x 3.7cm
Unit dimensions	Cut sheet Ø 120mm, Cutout Ø 100mm
Mounting	Recessed, Ceiling
Luminous flux	260 - 290 ml
Housed box	Metal box/ Aluminum
Compliance	Quatest 3



MANUAL GUIDE



KEY FEATURES:

- High Brightness Output
- High Lumen/ Watt Efficiency
- Low power Consumption
- Low maintenance
- Long lifespan

ORDERING GUIDE

Please check with Sales Dept if Customisation is required

Model	Lamp (watt)	Battery type
EM - SLER	1 X 3 W	Nickel Metal Hydride Ni-MH
EM - SLET	1 X 3 W	Nickel Metal Hydride Ni-MH

