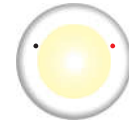




EM-SLED / EM-610L



Coolday Light



Warm white Light

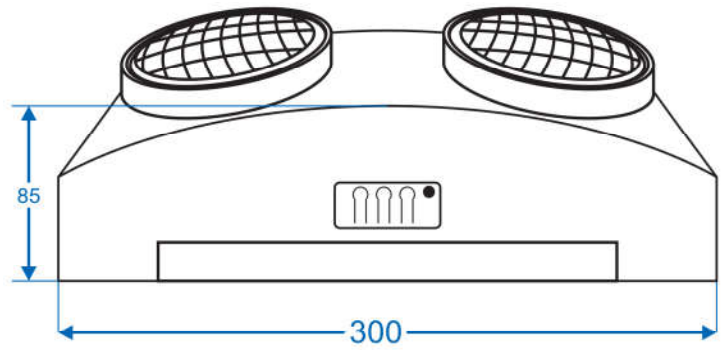
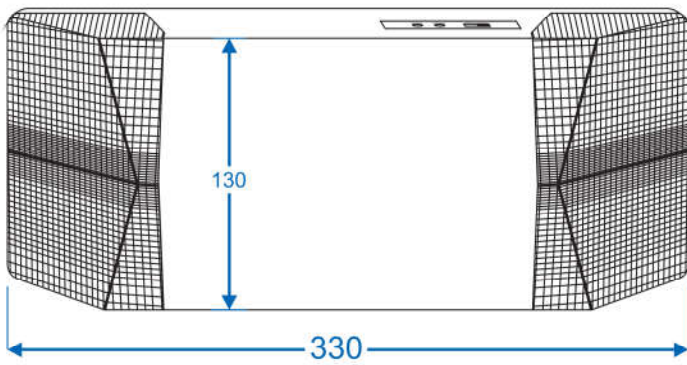
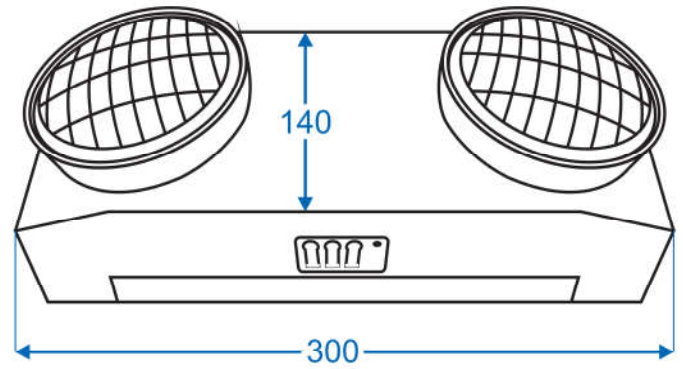
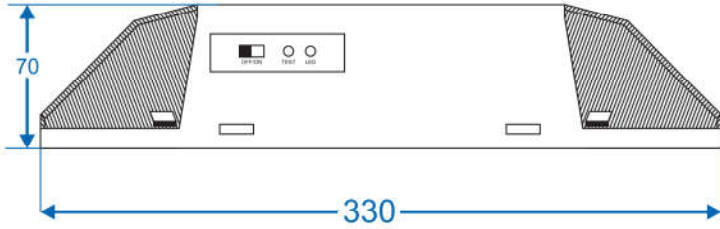
TECHNICAL DATA

MODEL	EM-SLED
Input voltage	220~240V/AC, 50/60HZ
Lamp	For SMD LED lamp 2*2W
Lumen Output	400lm - 440lm , CCT (K) : 3000K - 6500K
Battery	Nickel metal hydride NI-MH 6V-3000mAh
Change-Over Time	<2Sec.
Charging Time	<24Hr.
Emergency duration	3 hours back up
Material	ABS , Wall or ceiling mounting
	Test switch and charge rate indicator
Operating Temperature	-40°C ~ +74°C
Dimension(L*W*H/mm)	L330 x W130 x H70mm

MODEL	EM-610L
Input voltage	220~240V/AC, 50/60HZ
Lamp	For SMD LED lamp 2*3W
Lumen Output	400lm
Battery	Nickel cadmium Ni-Cd 800mA/3.6V
Change-Over Time	<2Sec.
Charging Time	<24Hr.
Emergency duration	3 hours back up
Material	ABS , Wall or ceiling mounting
	Test switch and charge rate indicator
Operating Temperature	-40°C ~ +74°C
Dimension(L*W*H/mm)	L300 x W140 x H85mm



MANUAL GUIDE



- KEY FEATURES:**
- High Brightness Output
 - High Lumen/ Watt Efficiency
 - Low power Consumption
 - Low maintenance
 - Long lifespan

ORDERING GUIDE

Please check with Sales Dept if Customisation is required

Model	Lamp (watt)	Battery type
EM - SLED	2 X 2 W	Nickel metal hydride NI-MH 6V-3000mAh
EM - 610L	2 X 3 W	Nickel cadmium Ni-Cd 800mA/3.6V

